



*"The Whisper Quiet Whole House Fan System"*

*"The natural choice for energy savings"*

## ***Installation Manual***



***Model QC-1500  
Model QC-2250  
"The Original"***



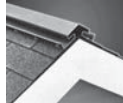
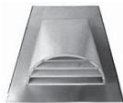
***Model QC-4500  
"Quiet Giant"***

***Read carefully all of this manual prior to installing the fans.***

# QuietCool fan installation instructions

## System Sizing and Venting

VENTILATION SELECTION	CFM Recommendation	SQUARE FOOT SIZE OF STRUCTURE				
		1,500 Sq. Ft.	2,000 Sq. Ft.	2,500 Sq. Ft.	3,000 Sq. Ft.	3,500 Sq. Ft.
GOOD	2 CFM PER SQUARE FOOT	2 - QC 1500'S	3 - QC 1500'S OR 1 - QC4500	4 - QC 1500'S OR 1 - QC1500 & 1 - QC4500	5 - QC 1500'S OR 2 - QC1500'S & 1 - QC4500	6 - QC 1500'S OR 3 - QC1500'S & 1 - QC4500
		3 - QC1500'S OR 1 - QC4500	4 - QC1500'S OR 1 - QC1500 & 1 - QC4500	5 - QC1500'S OR 2 - QC1500'S & 1 - QC4500	6 - QC1500'S OR 3 - QC1500'S & 1 - QC4500	7 - QC1500'S OR 4 - QC1500'S & 1 - QC4500
BETTER	3 CFM PER SQUARE FOOT	4 - QC1500'S OR 1 - QC1500 & 1 - QC4500	5 - QC1500'S OR 2 - QC1500'S & 1 - QC4500	7 - QC1500'S OR 4 - QC1500'S & 1 - QC4500	8 - QC1500'S OR 5 - QC1500'S & 1 - QC4500	9 - QC1500'S OR 3 - QC1500'S & 2 - QC4500'S
		3 - QC1500'S OR 1 - QC4500	4 - QC1500'S OR 1 - QC1500 & 1 - QC4500	5 - QC1500'S OR 2 - QC1500'S & 1 - QC4500	6 - QC1500'S OR 3 - QC1500'S & 1 - QC4500	7 - QC1500'S OR 4 - QC1500'S & 1 - QC4500
BEST	4 CFM PER SQUARE FOOT	4 - QC1500'S OR 1 - QC1500 & 1 - QC4500	5 - QC1500'S OR 2 - QC1500'S & 1 - QC4500	7 - QC1500'S OR 4 - QC1500'S & 1 - QC4500	8 - QC1500'S OR 5 - QC1500'S & 1 - QC4500	9 - QC1500'S OR 3 - QC1500'S & 2 - QC4500'S
		3 - QC1500'S OR 1 - QC4500	4 - QC1500'S OR 1 - QC1500 & 1 - QC4500	5 - QC1500'S OR 2 - QC1500'S & 1 - QC4500	6 - QC1500'S OR 3 - QC1500'S & 1 - QC4500	7 - QC1500'S OR 4 - QC1500'S & 1 - QC4500
<b>REQUIRED VENTILATION</b>		<b>2 SQ. FT. FOR EACH QC1500</b>		<b>AND 6 SQ. FT. FOR EVERY QC 4500</b>		
Vent type	<i>Gable vent</i>	<i>Dormer vent</i>	<i>Eave vent</i>	<i>Ridge vent</i>	<i>Soffet vent</i>	
Average size	12" x 19.5"	14" x 8"	3.5" x 22.5"	various	various	
Venting Sq. Ft.	1.20	0.70	0.35	various	various	



1. Determine in which areas you would like to install your QuietCool Fans. Now it's time to go into your attic to mark the exact location for each fan install from above.
2. When you find a location, move the insulation away to get a clear view. Make sure the template fits between the framing, and there are no other obstructions in your chosen location. If there is a reason you can not use the exact spot, find a location in the area that does work. Place the template on the spot and mark it by making a hole at each corner with a screwdriver.

### **Repeat these steps at each location**

3. Once all locations are marked, move the insulation away and return below to the house. It's now time to cut the holes at each air intake location.

**NOTE: QC1500 & QC2250 rough opening size is 14 1/4" x 14 1/4"**

**QC4500 QuietGiant rough opening size is 14 1/4" x 22 1/4"**

4. Place the cut-out template at each location making sure you have 2 inches of clearance all the way around it. The grill that will be installed later is larger than the template. While holding the template in place, mark around it with a pencil. Using a drywall saw, or similar device, cut out the hole.

### **Repeat these steps at each location**

5. Open and unpack each QuietCool fan. Make sure all parts are present. Most of the system comes pre-assembled. The main assembly should be put up in the attic through the crawl hole and moved into position near the ceiling cutout hole.
6. It's now time to hang the motor heads from the rafters. Your goal is to hang the motor head as far from the hole in the ceiling as possible, while making sure the ceiling box and duct will easily reach the hole.
7. Using the metal strapping attached to the motor head assembly, and the gray deck screws provided, hang the motor head from the rafters. Make sure the motor head is fairly level side to side. Again, make sure the ducting will reach the ceiling cut out with a little slack. You will need to secure the ducting later in these instructions.



1



2



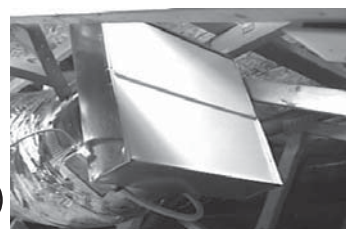
3



4



5



6



7

8. **⚠ VERY IMPORTANT!** Remove the shipping tape from the back draft dampers. Make sure the dampers will open and close easily and without obstruction.
9. **⚠ VERY IMPORTANT!** Make sure the fan blade spins freely. This is very important to system operation.

**Repeat these steps at each location**

10. Once all of the QuietCool fans are hung, it's time to go below and install the ceiling box and ceiling grill at each intake location.
11. Look through the hole and make sure there are no kinks or twists in the ducting. Pull the ceiling box down through the hole in the ceiling. While holding it in place, install a 1-3/8" drywall screw through the drywall into the flange of the ceiling box on each side to temporarily hold the box in place. Remove ceiling grill and screws from its packaging. Center the grill over the ceiling box. Install the grill with the white screws provided by screwing through the flange of the ceiling box. Some ceiling surfaces are uneven and may cause a small gap to be present. This can easily be caulked later if excessive.

**Repeat these steps at each location**

12. Return to the attic and go to each location. Using the nylon straps and the pan head screws provided, support the duct to the framing. Make sure the motor head is still level and the dampers still close naturally. This will stabilize the entire assembly. Replace any insulation that was removed.

**Repeat these steps at each location**

13. The installation is now complete except for the electrical work necessary to make them operate. The electrical wiring for the fan requires a 120 volt three prong outlet within 6 feet of the motor head in the attic.
14. The outlet should be wired to and controlled by a two-gang or three-gang box installed in the hallway wall with a timer and switch for each fan.
15. Install QuietCool Remote Control System which operates up to 8 fans (Optional feature)

### **⚠ Avoid Back drafts**

Care should be taken to avoid back drafting combustion appliances that are installed in the conditioned space. It is strongly recommended that combustion appliances NOT be installed in such a manner that they use room air for combustion. Whole house fans are capable of pulling large quantities of air from the home and particularly if not enough windows are open. This could easily back draft gas appliances located inside your home.

### **Optional Remote Control System**



Remote



Fan Module(s)



Controller

8



9



10



11



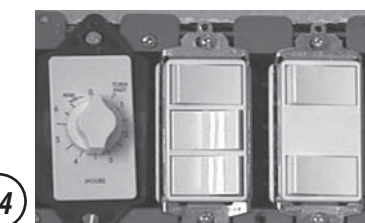
12



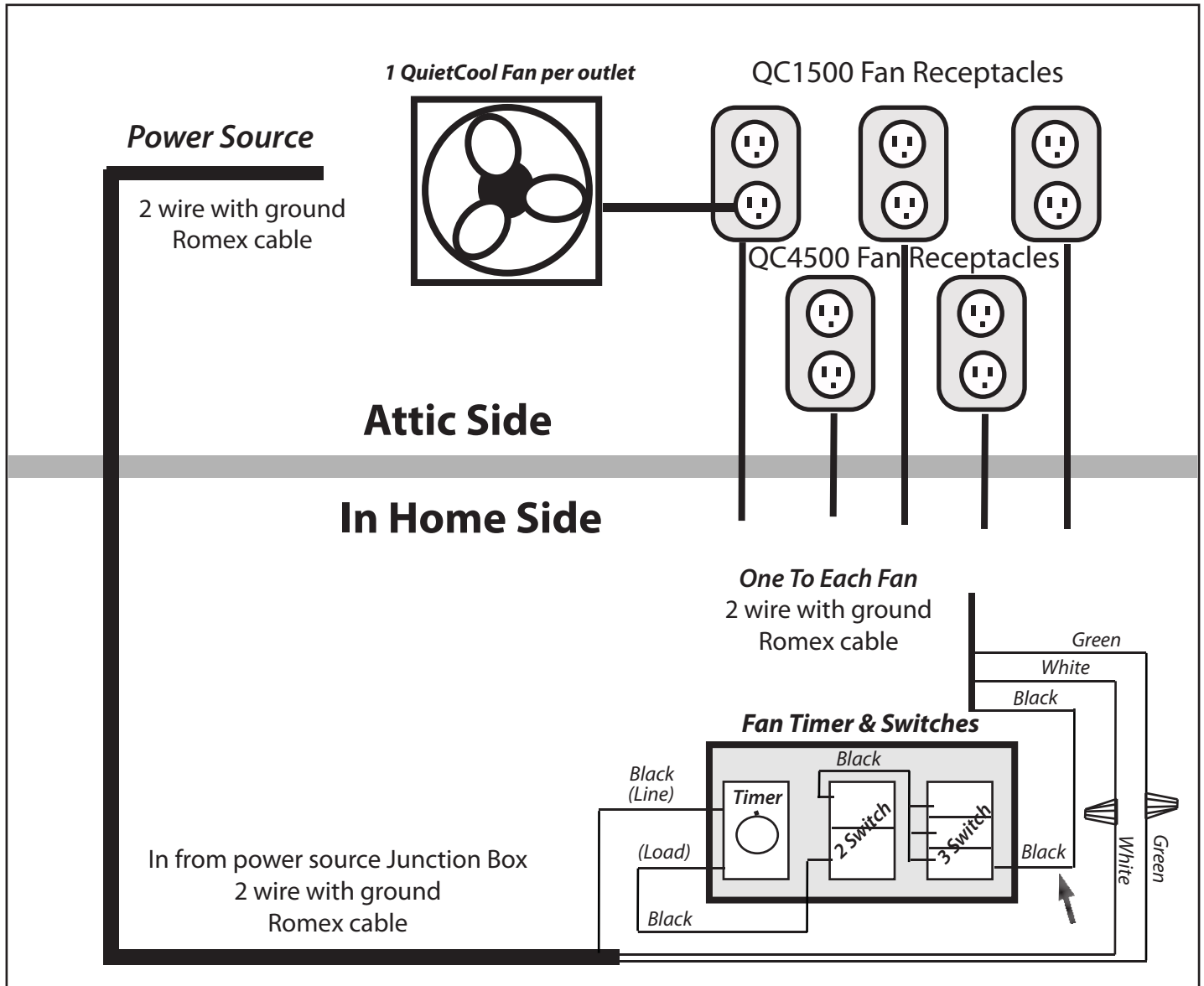
13



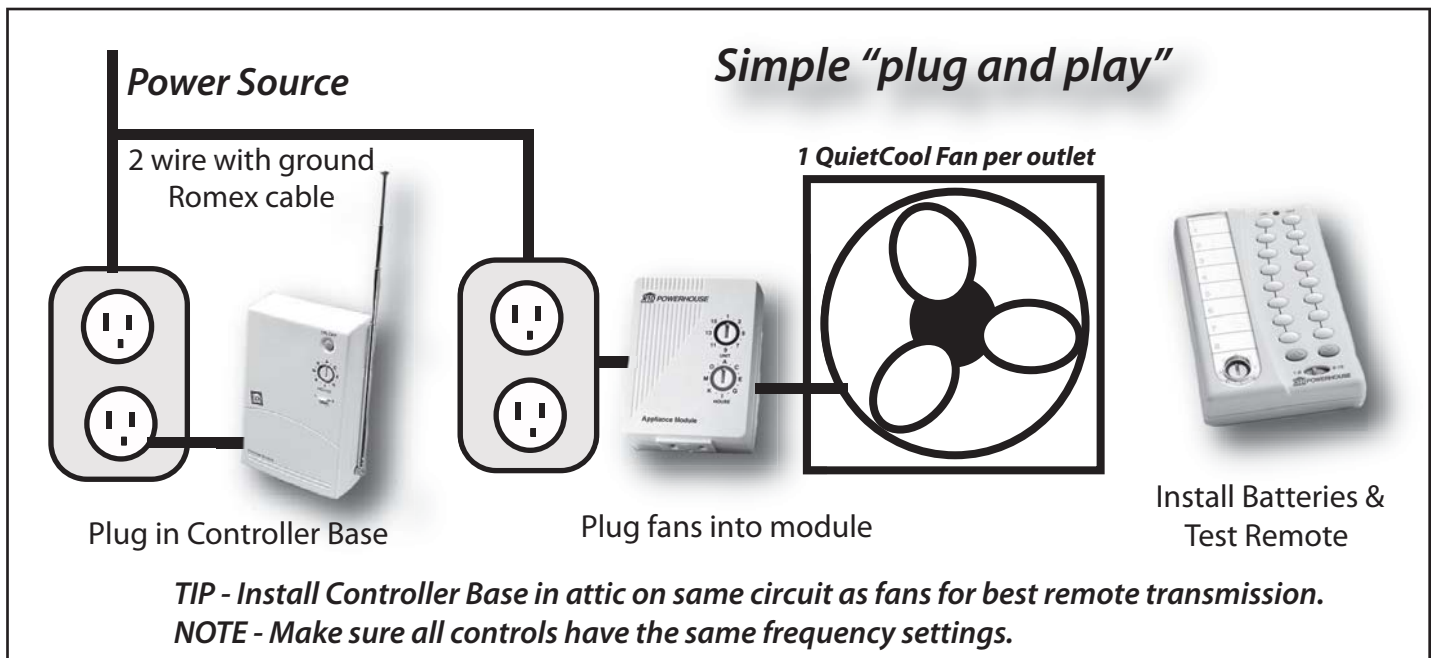
14



## Wiring Diagram with Timer & Switches



## Wiring Diagram with Optional Remote Control



## **Congratulations on the purchase of your new QuietCool system!**

### **▲ VERY IMPORTANT! OPEN WINDOW OR DOOR PRIOR TO TURNING ON SYSTEM (May pull ashes from fire place)**

One or more QuietCool's can be used to ventilate your home at any time of the year. The following general instructions will concentrate on summertime cooling.

#### **WHEN TO RUN FANS**

Anytime of day that it feels cooler outside than inside your home, the system will work effectively. In the summer, this normally happens in the late afternoon to early evening, through to the next morning.

#### **WHERE TO START**

We recommend you start by cooling the area where you are going to be spending the most time for the next few hours. In other words, create the coolest breeze where you are going to be. For example, in most family situations, the early evening is spent in the kitchen / family room area. Assuming this to be true, this is where you would start.

Begin by opening a window or two in the area you are going to be spending your time and turn on all of your QuietCool's at once, for maximum cooling. The cooler air outside will immediately begin to create a breeze. Opening windows too wide or opening too many windows will lesson the cooling breeze you feel.

The breeze will flow through your home and make its way to each QuietCool you have in operation. This breeze will be felt in the entire path, and will begin to cool the whole house. At the same time, the air brought in will be sent to the attic. This action will flush the very hot air out through the venting. When hot air is allowed to remain in your attic, it keeps your home hot even though it has cooled down outside. Removing the hot air and replacing it with cool air allows your home to cool off dramatically.

As it gets later in the evening, and even cooler outside, you can begin to open windows in other rooms of your home. Then at bedtime, you should close all the windows except in the occupied bedrooms. This will provide each room with a cool breeze as long as desired. If you have a QuietCool installed in each bedroom as recommended, you can enjoy the breeze and your privacy with your door closed.

#### **INDOOR AIR QUALITY**

We should also stress the values of ventilating your home on a regular basis. Many private and government studies show that the air inside our homes is more polluted than the air outside. This is generally true even in industrial cities. Your QuietCool system can greatly reduce this problem by bringing in fresh air and exhausting stale polluted air all year round.

In cooler months, you can provide sufficient ventilation by operating one QC1500 daily for short periods of time without significantly cooling your home. The system can also be helpful in eliminating pet odors, burned food smells and smoke.

### **HELPFUL TIPS!**

- ➡ **Don't run fans when it is hot outside!**
- ➡ **Cool house in morning and close all windows during mid-day.**
- ➡ **Open only a few windows at first when its starting to cool down in the afternoon or evening then later open more windows.**
- ➡ **Close window shades and blinds during mid day to prevent sun from heating up home as quickly.**
- ➡ **In wintertime you may turn on the system at the warmest time of the day and bring in fresh warmer air to heat the home.**

Manufactured by



**10 Year Limited Warranty**

QC Manufacturing Inc. extends this warranty to the original purchaser of a QUIETCOOL fan system and/ an ENVIROCOOL cooling system installed and used in a residence under normal conditions within the continental United States.

- A. Ten Year coverage applies to the QuietCool fan assembly. At our option we will repair or replace any part of the assembly should it fail to operate during the first ten years from the date of original purchase. This coverage does not apply to controls such as timers, thermostats and switches.
B. Five year coverage applies to the structural integrity of the EnviroCool cellulose rigid media. We will replace the media should it fail as a result of defective workmanship during the first five years from the date of original purchase. Mineral accumulations nor damage to the media as a result cleaning the media and damage as a result operating the media using softened water are not warranty defects and are not covered by this warranty.
C. One year coverage for all other components including grills, housings, pumps, controls and accessories furnished by QC Manufacturing Inc. At our option, we will repair or replace any part fails as a result of defective material or workmanship during the first year from the date of original purchase.
D. This warranty does not cover any of the following:
1. We are not responsible for any incidental or consequential damage resulting from the operation of our equipment or any malfunction thereof.
2. We are not responsible for the cost of service calls to diagnose the cause of problems or the labor charge to un-install and re-install any components.
3. We are not responsible for any damage resulting from the use of water softeners, chemicals, or de-scale materials.
4. The result of failure or damage due to faulty installation, abuse, misuse, unauthorized alteration, lack of maintenance, or transportation damage.
5. Freight or postage for warranty claims.
6. Any odor that may be noticed from the use of the EnviroCool unit. A slight odor may be noticed during the initial start-up and should disappear within the first few days of operation. Any continuing odors are the cause of faulty operation or faulty maintenance.
E. To obtain service under this warranty, contact the dealer where you purchased the equipment. If you are unable to find or reach your dealer, contact Customer Service, QC Manufacturing Inc., 30724 Benton Road Suite C302-589, Winchester, CA 92596.
F. Please register your product/products for warranty on line at: www.QuietCoolsystems.com/registration

This warranty is the only warranty extended by QC Manufacturing Inc. to purchasers or suppliers of our equipment. QC Manufacturing Inc. disclaims all other warranties, express or implied, that arise by operation of the law. Some states do not allow the exclusion incidental or consequential damages or limitations on how long an implied warranty lasts so the above limitations or exclusions may not apply to you.

**Serial Numbers**

QuietCool \_\_\_\_\_ QuietCool \_\_\_\_\_ QuietCool \_\_\_\_\_
QuietCool \_\_\_\_\_ QuietCool \_\_\_\_\_ QuietCool \_\_\_\_\_
QuietCool \_\_\_\_\_ QuietCool \_\_\_\_\_ QuietCool \_\_\_\_\_

**Product Registration:** Please register your product on line at www.QuietCoolsystems.com/registration.